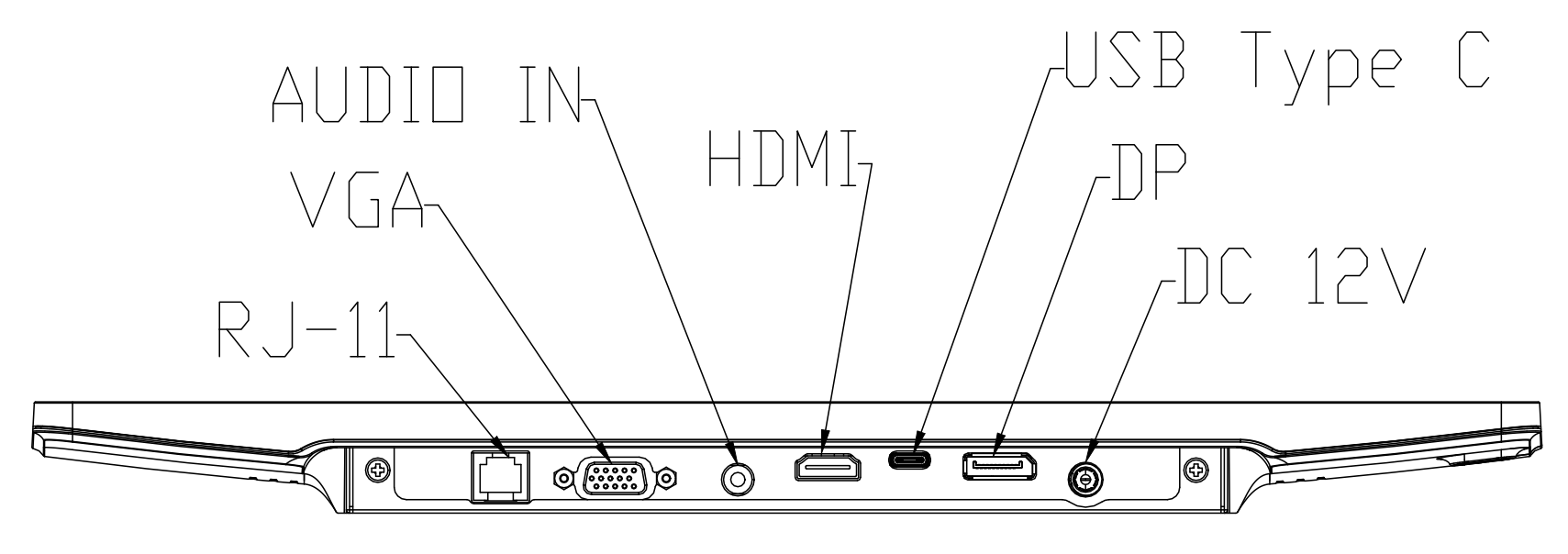
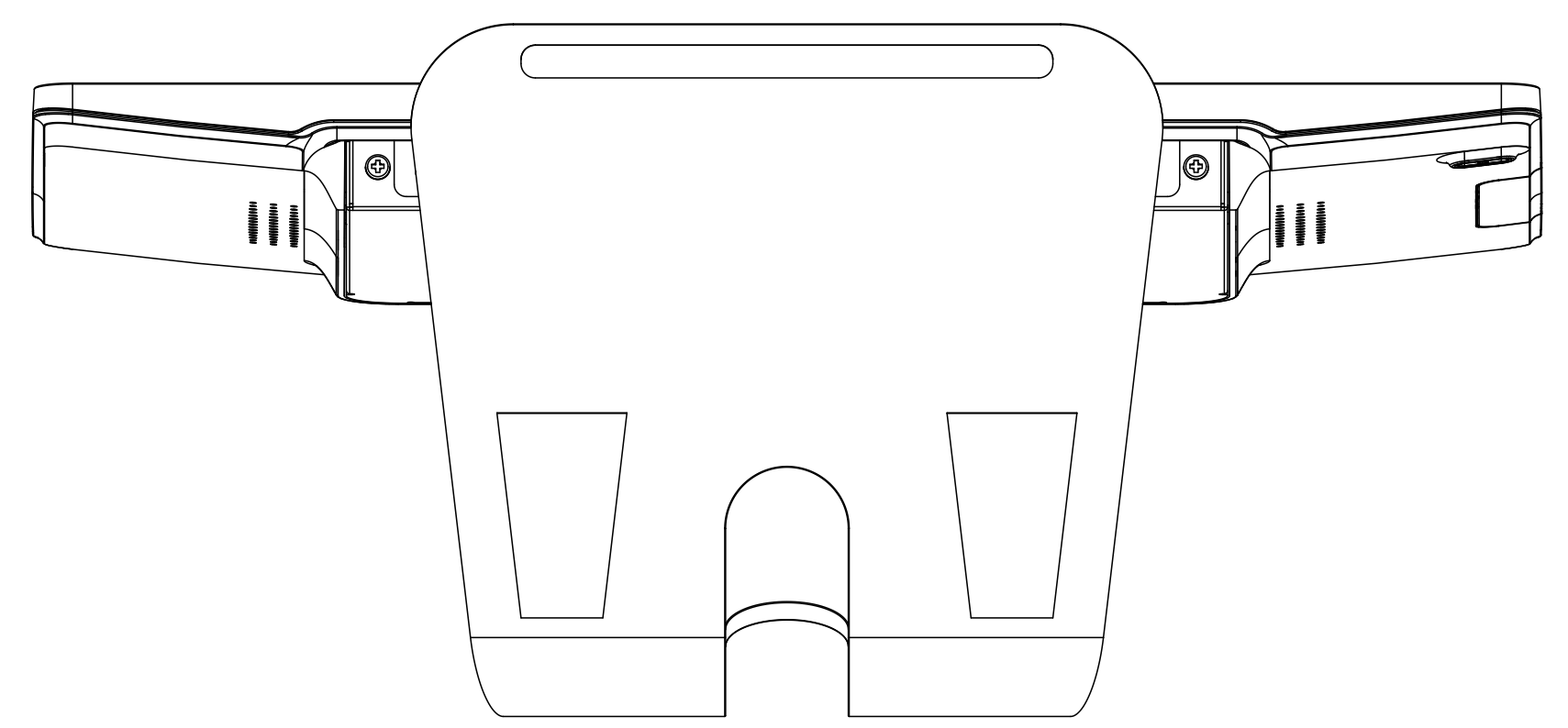
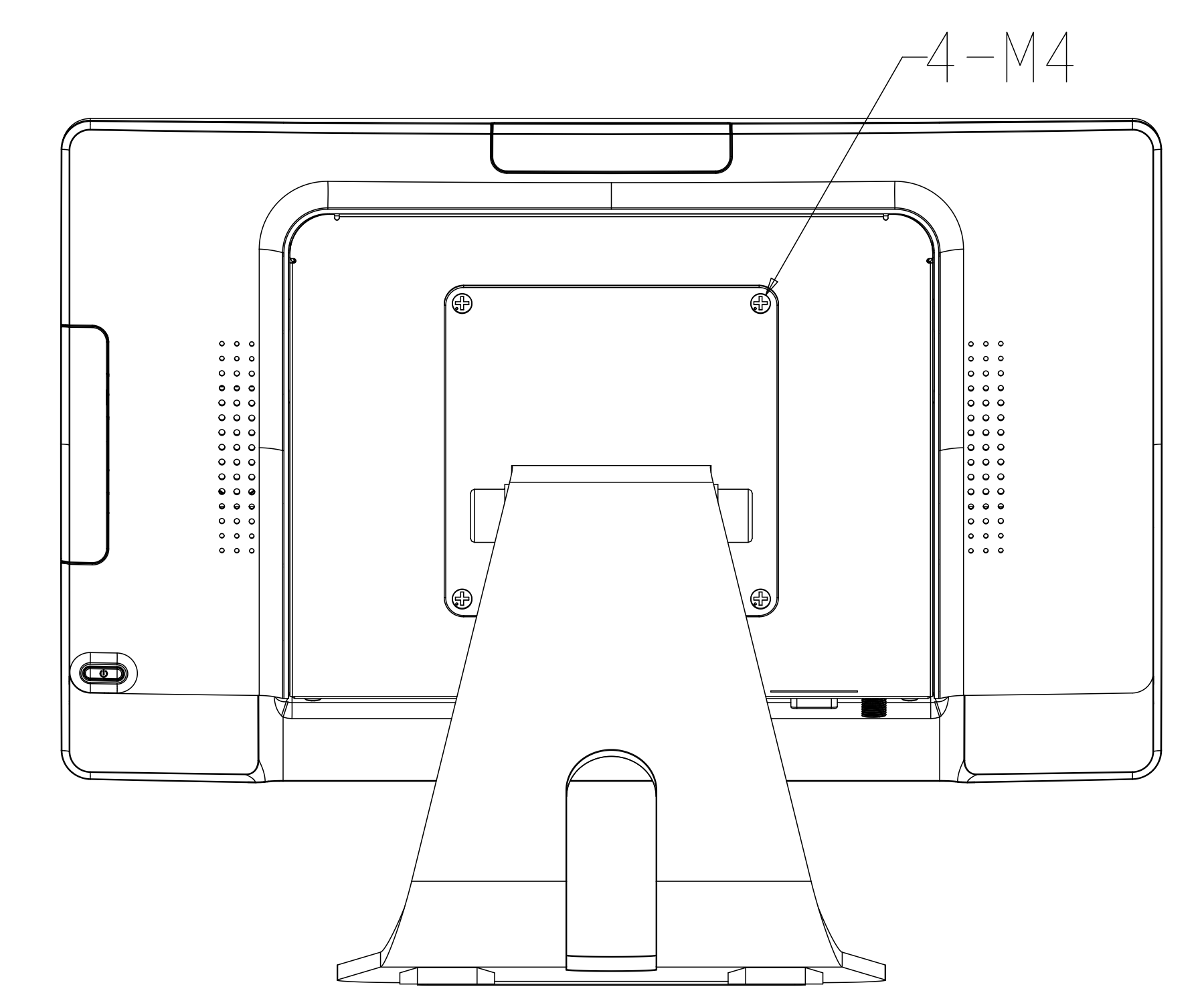
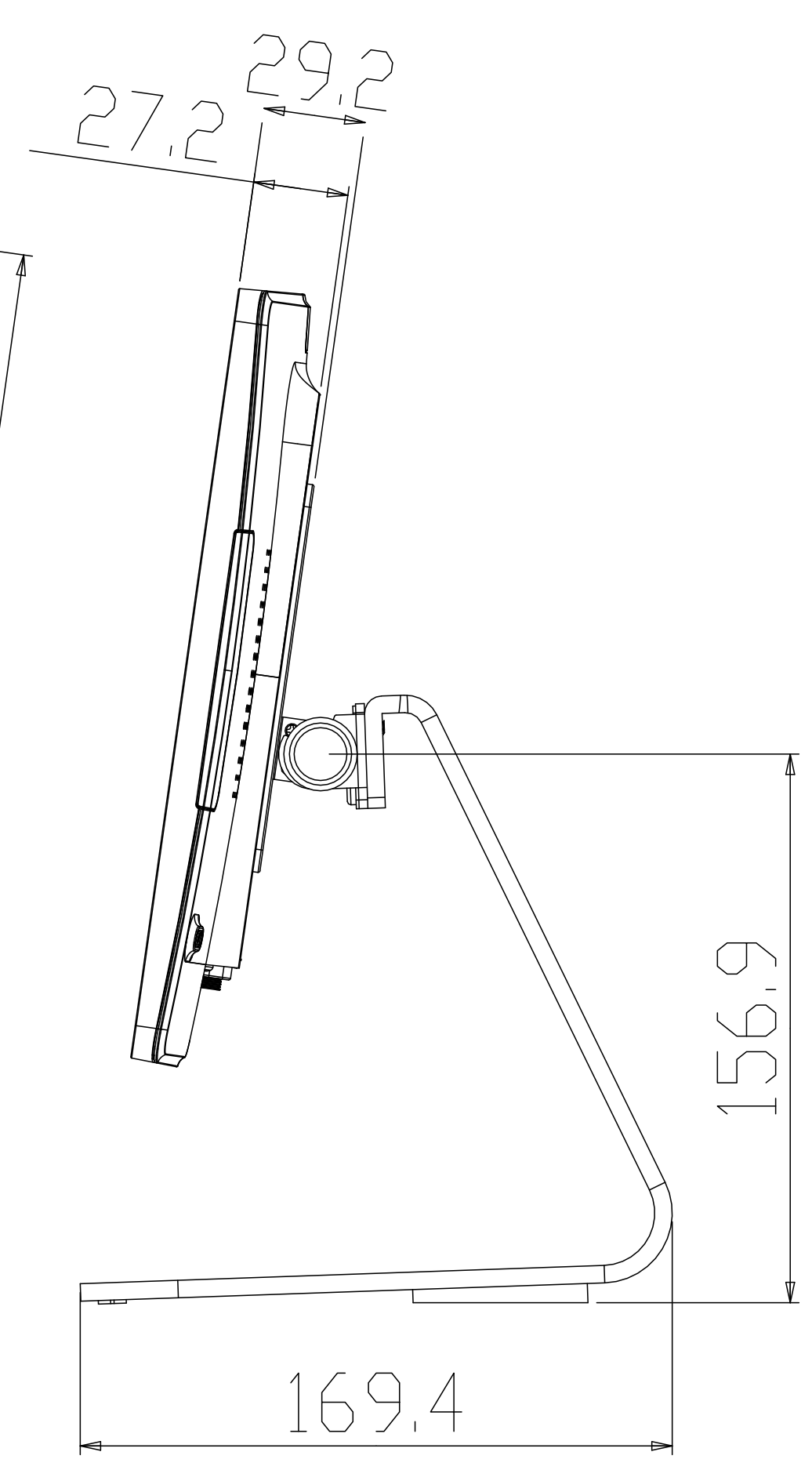
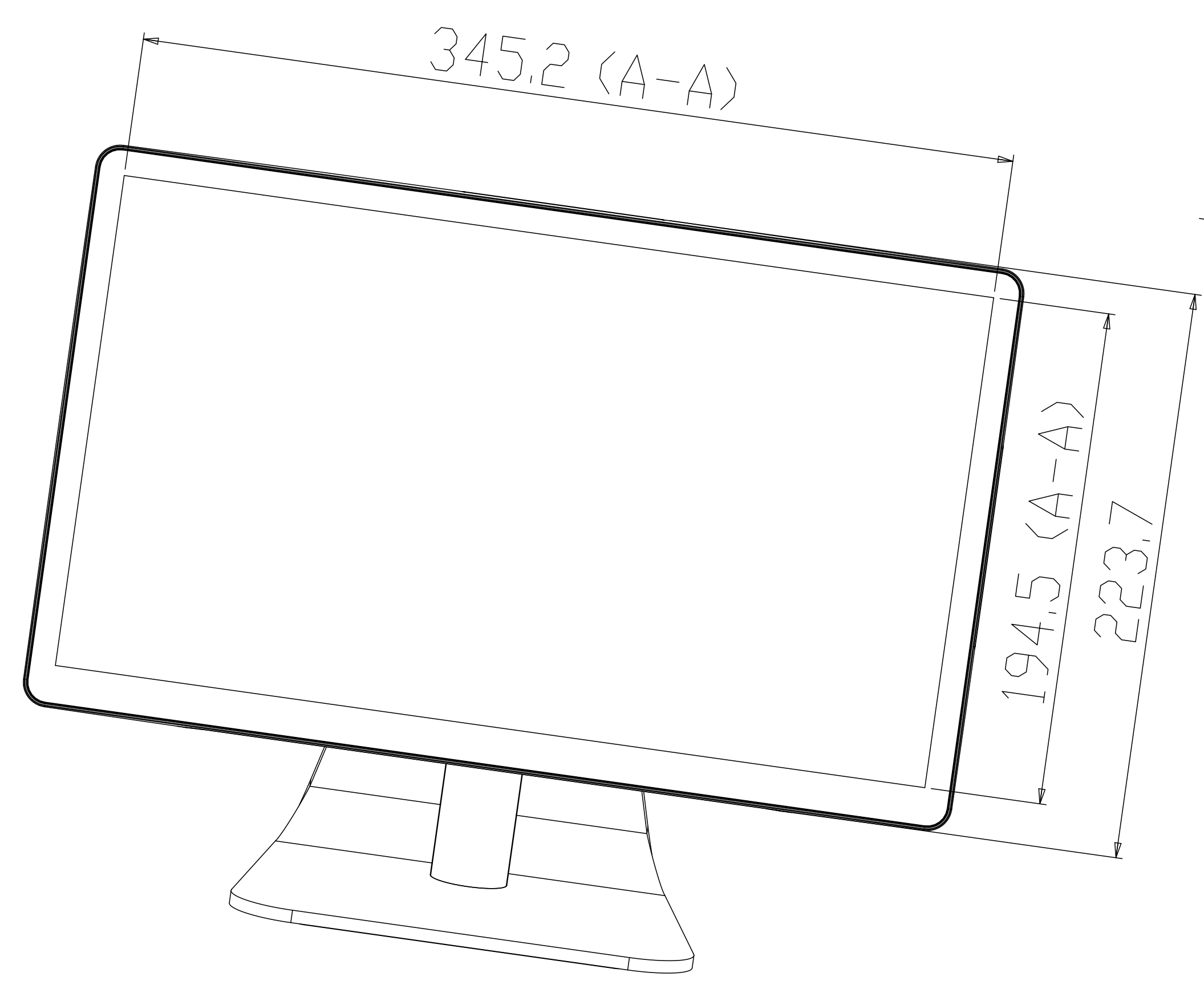
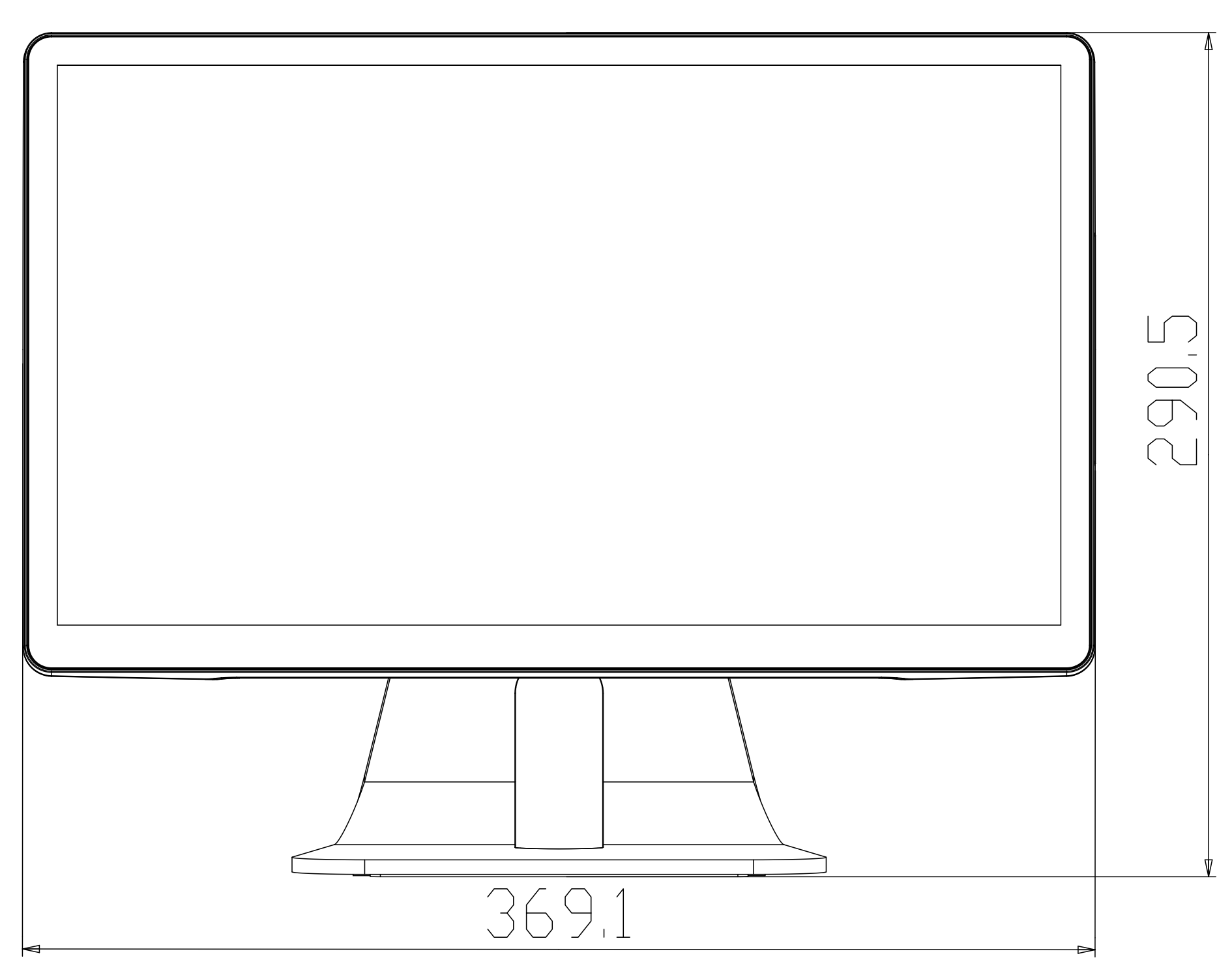
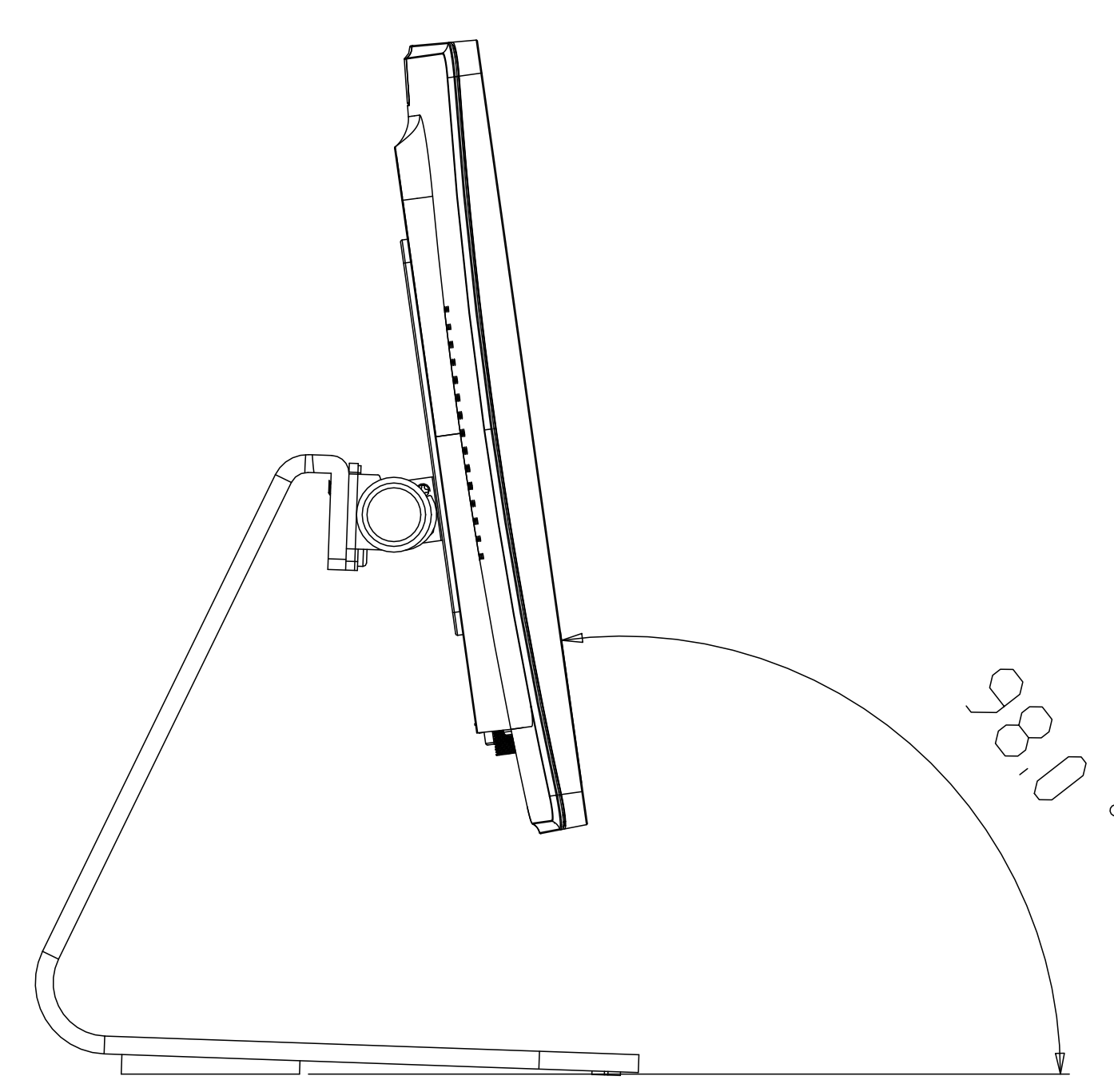
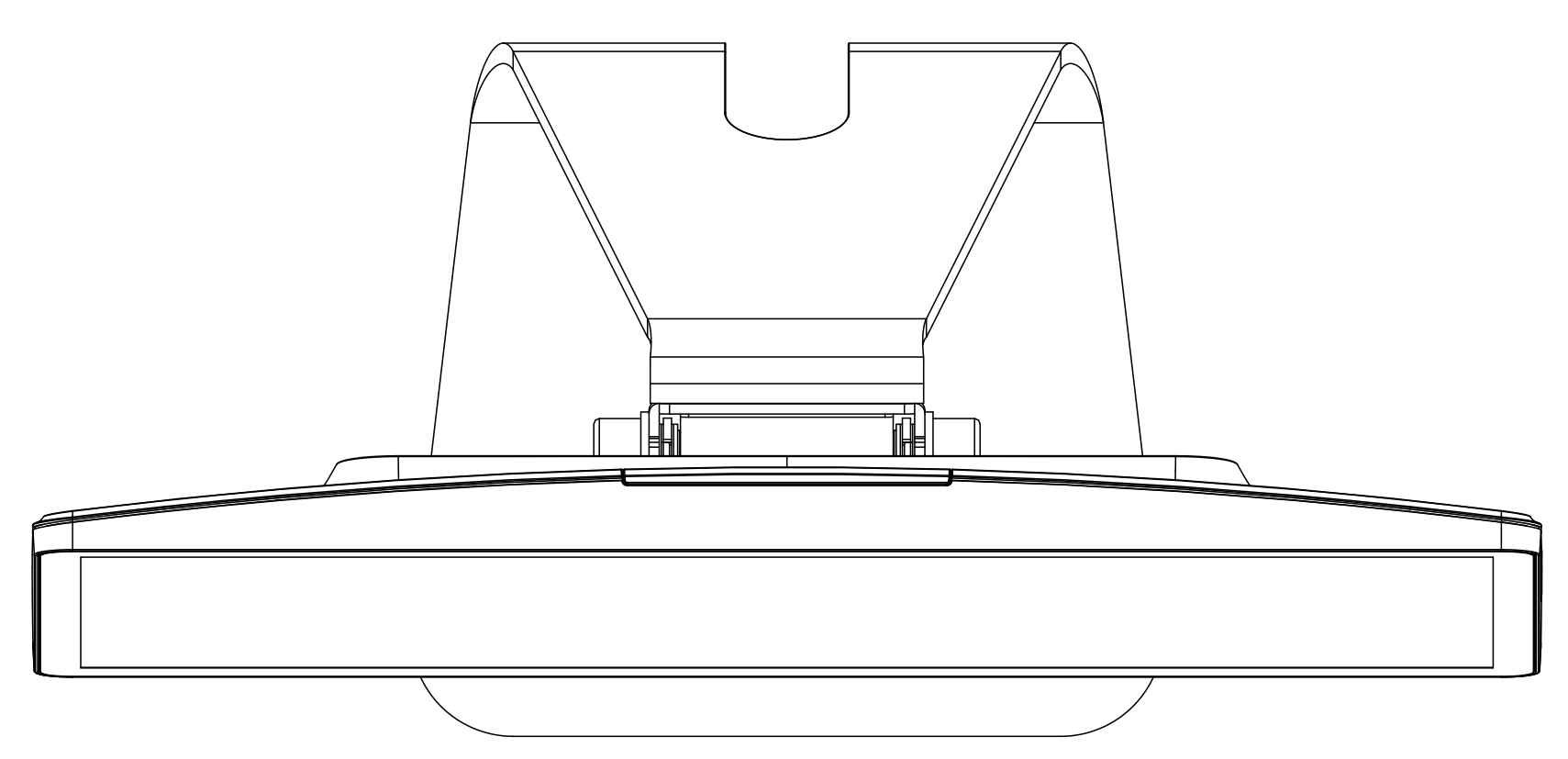


REVISIONS				
ECN	REV.	DESCRIPTION	DATE	APPROVED



ITEM		NEXT ASSY		USED IN		UNLESS OTHERWISE SPECIFIED DIMENSIONS ARE IN MILLIMETERS		APPROVALS		DATE		PART NAME	
APPLICATION		MATERIAL		COLOR		CHECKER		DRAWN		ISSUED		REV. A	
THIRD ANGLE PROJECTION		SCALE		SCALE		SCALE		SCALE		SCALE		SCALE	
DO NOT SCALE DRAWING		0.600		0.600		0.600		0.600		0.600		0.600	



TEU-156S2-D-P

REV. A